

KODEN

12.1,15,17-inch Color LCD
Echo Sounder

CVS-702D/705D/707D

DIGITAL

High power

The best suited Echo Sounder for professional boat



CVS-702D



CVS-705D



CVS-707D



Features

Optimized for deep water

Condition Memory for your preferred settings

Extremely high resolution and low noise

Bright and clear screen images by Koden Digital Filtering (KDF™) technology.

SPECIFICATIONS

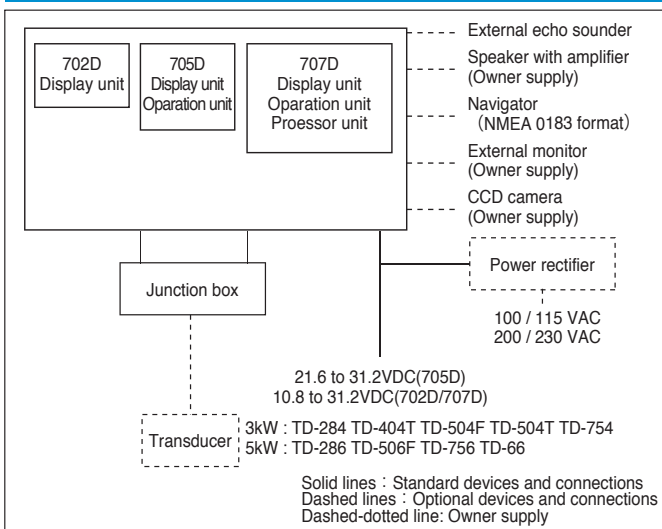
Model	CVS-702D	CVS-705D	CVS-707D
Display unit	CVS-702D	ESD-210	-
Processor unit	-	-	ESM-210
Operation unit	-	ESO-200	
Output power / frequency	3kW : 28、40、50、75、200kHz (200kHz is 1kW only) 5kW : 28、50、75、200kHz (200kHz is 1kW only)		
Output method	Single, 2 frequency, Simultaneous		
Display size and type	12.1-inch color XGA LCD	15-inch color XGA LCD	17-inch color XGA LCD
Display resolution	1024 × 768 pixels (XGA)		
Basic range	1 to 3000 (m), 5 to 8000 (ft), 1 to 1700 (fm), 1 to 2000 (l. fm) (8 ranges can be set to users choice)		
Zoom range	1 to 260 (m), 5 to 960 (ft), 1 to 140 (fm), 1 to 180 (l. fm)		
Range unit	m, ft, fm, l.fm		
Shift step	Selectable: 1m, Range ratio 1/5, Registered value (8 type), Shift digit input, Range dependent		
Presentation modes	High frequency, Low frequency, 1 to 2 frequency, Zoom image (Bottom lock, Bottom discrimination, Bottom zoom, Zoom, Bottom follow zoom), Nav mode, Vertical split, Horizontal split, Mix A-scope can be displayed at all above modes		
Presentation colors	64 colors, 16 colors, 8 colors, Monochrome		
Back ground colors	Marine blue, Blue, Dark blue, Black, White, Night color, Other 4 colors		
Alarms	Bottom, Fish, Temperature*, Speed**, Arrival***, XTE***		
Image speed	12 steps & stop		
Functions	Interference rejection, Color rejection, VRM, Noise reduction, White line, Draft correct, Water temperature correct, Boat speed correct, Store image (500 images), Sona-Tone™, Homing, Event memory, Simple plotter, Panel illumination, Power reduction, External trigger, Detection area display, CM key, Water Temp. graph, Individual range operation, Individual shift operation		
Auto functions	Range, Shift, TVG, TX Power, White Line		
Language	Traditional Chinese, Simplified Chinese, English, French, Greek, Italian, Japanese, Korean, Spanish, Thai		
Input data formats and sentences	NMEA0183 Ver. 1.5 / 2.0 / 3.0 GGA, GLL, HDT, MTW, MWV, MWD, RMC, VHW, VTG, ZDA		
Output data formats and sentences	NMEA0183 Ver. 2.0 (DBT : Ver. 1.5) DBT, DPT, GGA, GLL, HDT, MTW, MWV, RMC, TLL, VHW, VTG, ZDA		
NMEA ports	Total 2: input and output		
Power supply	10.8 to 31.2 VDC	21.6 to 31.2 VDC	21.6 to 31.2 VDC
Power consumption	60 W or less (24 VDC)	70 W or less (24 VDC)	50 W or less (24 VDC)

Environmental

Operating temperature	-15°C to +55°C		
Water protection	IPX5	IPX5 (Operation unit) n/a (Processor unit)	

- * Requires data from Temp sensor
** Requires speed data from Speed sensor or GPS sensor
*** Requires data from GPS sensor

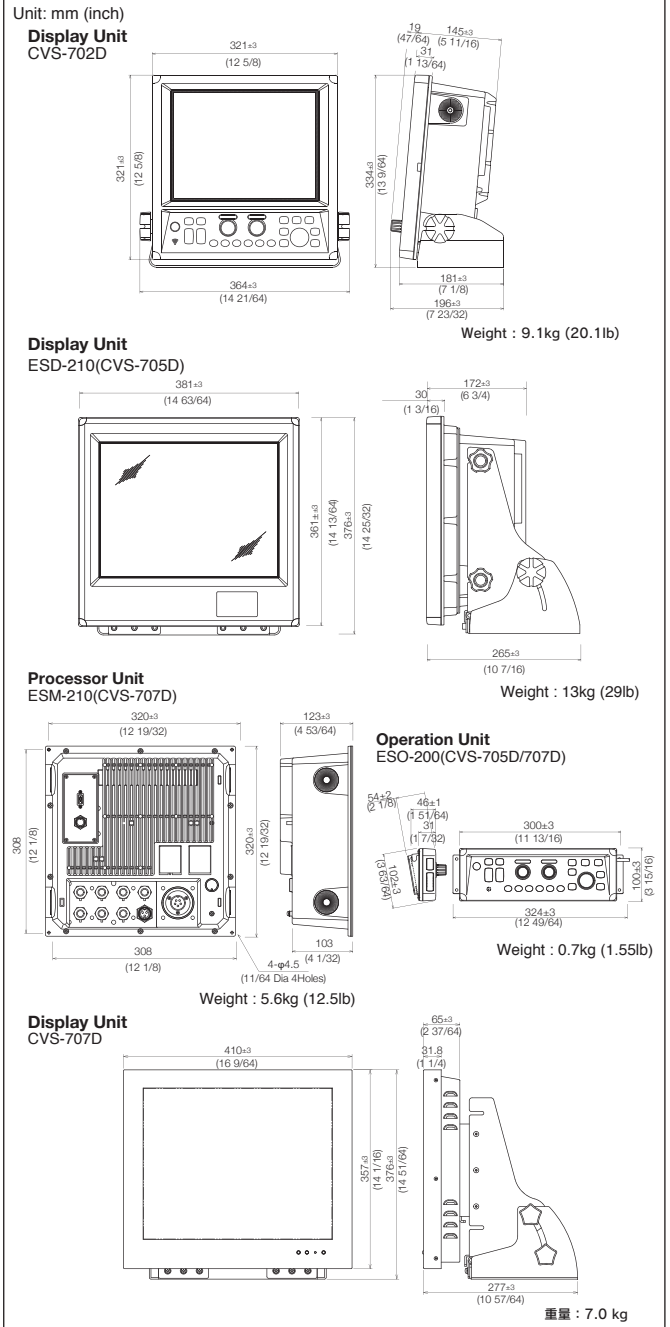
CONNECTIONS



EQUIPMENT LIST

Standard equipment	CVS-702D	Display unit with mounting bracket	1
	CVS-705D	Display unit with mounting bracket	1
		Operation unit	1
	CVS-707D	Display unit with mounting bracket	1
		Processor unit	1
		DC power cable, Junction box, Spare parts,	
	Operation manual, Installation manual, Quick reference		1
Essential option	Transducer		
Options	Connection cables for external devices, Power rectifier		

DIMENSIONS AND WEIGHT



• Design and specifications are subject to change without notice.

KODEN Kodon Electronics Co., Ltd.

Tamagawa Office:
2-13-24 Tamagawa, Ota-ku, Tokyo, 146-0095 Japan
Tel: +81-3-3756-6501 Fax: +81-3-3756-6509
Uenohara Office:
5278 Uenohara, Uenohara-shi, Yamanashi, 409-0112 Japan
Tel: +81-554-20-5860 Fax: +81-554-20-5875

overseas@koden-electronics.co.jp

www.koden-electronics.co.jp



Safety precaution

To ensure proper and safe use of the equipment, please carefully read and follow the instructions in the Operation Manual.

For details, please contact: