

FURUNO®

Excellent Fish/Seabed Discrimination
Customizable Nav Data Display

6-INCH LCD SOUNDER

Model **LS-6100**

- 50/200 kHz Dual Frequency Transceiver
- High power 300 W rms
- Advanced high-contrast direct sunlight monochrome LCD
- Customizable Nav Data Display*
- User programmable function key
- Trip log or odometer log
- "White line" and "Sea-Through" technology discriminates echoes on the seabed or anywhere in the water column
- Wind direction and speed display*
- "Mini-navigator" feature provides 12 "Go To" waypoints with programmable names for primary or back-up navigation*
- Unique Bottom-Lock Fish Alarm mode provides consistent audible bottom fish detection in varying depths

*With Appropriate Sensors



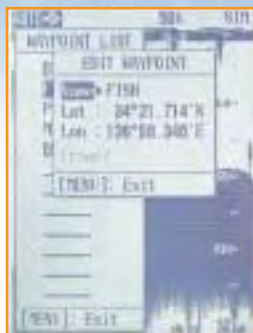
Single freq
(50 kHz) with
A-scope,
Reverse mode



Bottom Zoom
with white line



Waypoints



Text Nav Data



Graphical
Nav Data



The future today with FURUNO's electronics technology.

FURUNO ELECTRIC CO., LTD.

Catalogue No. E-388f

TRADE MARK REGISTERED
MARCA REGISTRADA

The LS-6100 is a new dual frequency sounder designed for a variety of pleasure craft and coastal fishing boats. It features a 6" high-definition silver bright LCD screen that offers a remarkably detailed picture of fish and bottom structure. The LS-6100 offers dual frequency capabilities, both 50 and 200 kHz, and has an outstanding 300 Watt rms (2400 Watt peak) output power, making this sounder the leader in its class.

Basic display modes include single LF/HF, Dual, Bottom-Lock Expansion, Bottom-Zoom, A-scope and Marker Zoom and two Nav Data Display modes.

The LS-6100 works as a handy navigational organizer when connected to an appropriate transducer or external nav sensor. It can display a variety of information including: water temperature, wind direction/speed, Lat/Lon, XTE and distance run in a graphical or text form.

With a GPS Receiver Input, the "Mini-Navigator" feature

is capable of storing up to 12 "Go To" waypoints with programmable names. Any of the waypoints can be selected as a destination. Range/Bearing, Course-to-Steer, and XTE to the destination waypoint is shown to provide detailed navigation data. The LS-6100 has a new Target Data Output feature that allows the output of Lat/Lon position and depth of a target specified by Cursor Position, along with temperature data when a temperature sensor is connected. This feature helps determine the depth of your tackle.

Choose from a variety of modes, including manual or two auto modes, fishing or cruising. The cruising mode uses a higher clutter rejection setting than the fishing mode, making it useful to track the bottom while cruising.

The range can be changed manually or automatically; the LS-6100 will redraw an entire echogram so that the contour can be shown seamlessly.

SPECIFICATIONS OF LS-6100

1. **Display** 6-inch monochrome LCD, 4 gray tones, 240 (H) x 320 (V) pixels
2. **Frequency** 50 and 200 kHz
3. **Output Power** 300 W rms
4. **Display Modes** Normal (Single/Dual), Bottom-Zoom, Bottom-Lock Expansion, Marker Zoom, 2 pages Nav Data and A-scope
5. **Basic Range** (m, ft, fa, p/b can be selected in menu) 2 to 500 m
6. **Range Phasing** Up to 500 m
7. **Bottom-lock Range** 3 to 10 m selectable in menu
8. **Zoom Scale** 2 to 50 m selectable in menu
9. **Picture Advance** Stop, 1/16, 1/8, 1/4, 1/2, 1/1, 2/1, 4/1
10. **Pulselength and Pulse Repetition Rates**

Range (m)	5-30	80	150	200	300
Pulselength (ms)	0.22	0.32	0.42	0.62	0.82
PRR (Pulses/min)	500	256	167	136	100
11. **Interface** (NMEA 0183 Ver. 1.5/2.0/3.0)
NMEA connector can be set on menu for IN or IN/OUT
Input: RMA, RMB, RMC, GGA, VTG, VHW, MTW, XTE, BWC, MDA, GLL, HDT, HDG, MWV
Output: Water depth (SDDPT), Speed* (VWVHW), Water temperature* (YCMTW), Target position (SDTLL)**, Position/Depth/Temp (PFECXXX)**
- * When connected with a transducer with speed and temperature sensor
- ** When connected with a GPS
12. **Alarm** Bottom, Fish, Temp, Speed and Battery
13. **Language** English, French, Spanish, German, Italian, Portuguese, Danish, Japanese

POWER SUPPLY

12 VDC, 7 W

ENVIRONMENT (Display Unit)
Temperature: -15°C to +55 °C (IEC 60945)
Waterproofing: IPX5 (IEC 60529), CFR-46 (USCG standard)

EQUIPMENT LIST

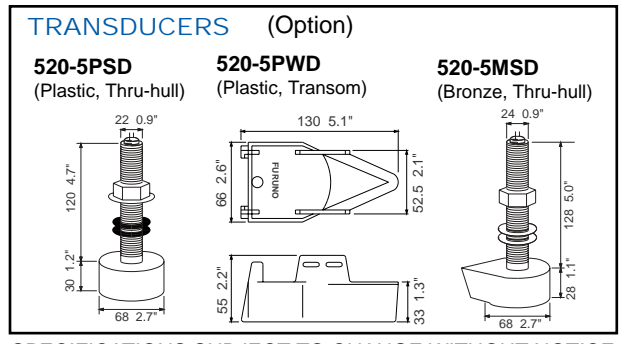
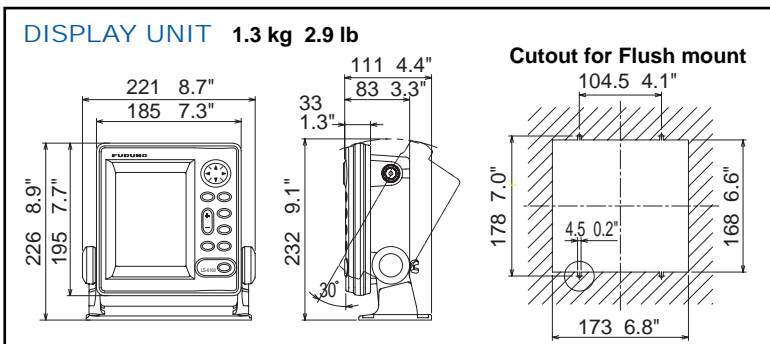
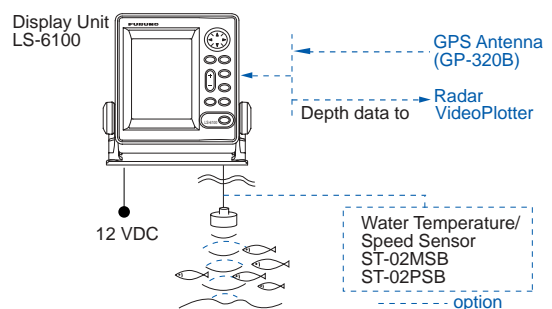
Standard

1. Display Unit
2. Installation Materials and Standard Spare Parts

Option

1. NMEA Cable MJ-A15A7F0005-020
2. Cable for Speed/Temperature Sensor 02S4147-1
3. Inner Hull Kit 22S0191-0
4. Transducer (*Specify when ordering*)
520-5PSD (Plastic, Thru-hull)
520-5PWD (Plastic, Transom)
520-5MSD (Bronze, Thru-hull)
with speed/temperature sensor;
525ST-PWD (Plastic, Transom)
525ST-MSD (Bronze, Thru-hull)
5. Y Adaptor Cable for GP-310B

INTERCONNECTION DIAGRAM



SPECIFICATIONS SUBJECT TO CHANGE WITHOUT NOTICE

04125Y Printed in Japan

大连宁航通导科技发展有限公司

T: 0411-82568595 82568596

F: 0411-82561282

Http://www.wesmar.cn

Email: sales@wesmar.cn