

FURUNO®

FAX-408

WEATHER FACSIMILE RECEIVER



The future today with FURUNO's electronics technology.

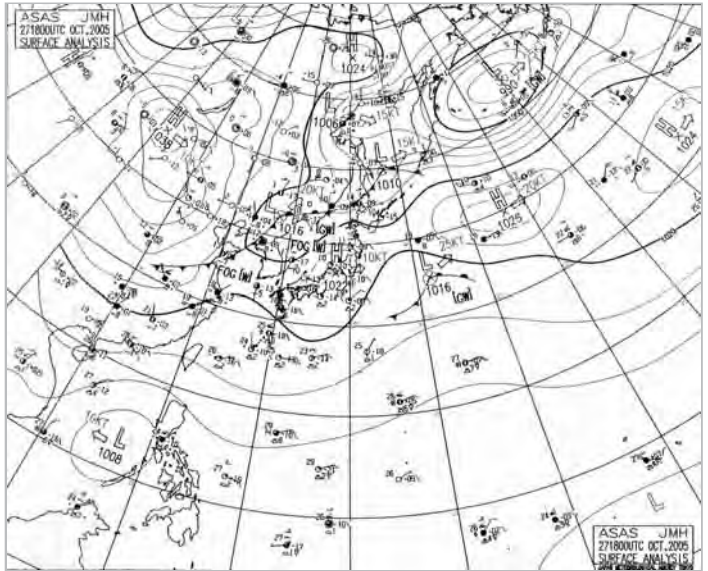
FURUNO ELECTRIC CO., LTD.

9-52 Ashihara-cho, Nishinomiya City, Japan Phone: +81 (0)798 65-2111
Fax: +81 (0)798 65-4200, 66-4622 URL: www.furuno.co.jp

Catalogue No. FX-621

TRADE MARK REGISTERED
MARCA REGISTRADA

- ▶ **Clear-cut weather charts and satellite images in nine gray levels on 8" thermal paper**
- ▶ **Automatic channel selection by judging the quality of signal reception**
- ▶ **All known facsimile channels in 2-25 MHz bands are pre-programmed: 150 channels**
- ▶ **Additional memory capacity of 164 user-programmable channels available**
- ▶ **Full automatic operation by a built-in schedule timer (16 programs can be set per week for automatic operation)**
- ▶ **Quiet thermal printing due to minimal mechanical components**



Automatic selection of the frequency with the highest signal quality enables the FAX-408 to print out weather charts with low noise. The best frequency is automatically selected according to the received signal strength.

SPECIFICATIONS OF FAX-408

RECEIVER CHARACTERISTICS

Frequency Range	2-25 MHz in 100 Hz steps
Number of Channels	150 pre-programmed channels and 164 user-programmable channels
Receiving System	Synthesized double super heterodyne
Mode of Reception	F3C
Sensitivity	Less than 2 μV at 20 dB SINAD
Tuning Monitor	3 LEDs indicate whether the frequency is properly received or if it should be moved up or down.

RECORDER CHARACTERISTICS

Recording System	Thermal head printing. Thermal recording paper (216 mm x 20 m) with effective width of 212 mm
Scanning Speed	60, 90 or 120 rpm
I.O.C.	576 or 288
Gradation	9 gradations
Phase Control	Automatic or manual
External Input Signal Operation	0 dBm at 600 ohms
	Automatic or manual
	Automatic start/stop by W.M.O. remote control signal
	Schedule Timer: 16 programs/week

POWER SUPPLY 12-24 VDC: 2.3-1.15 A

ENVIRONMENT

Temperature: -10°C to +50°C

EQUIPMENT LIST

Standard

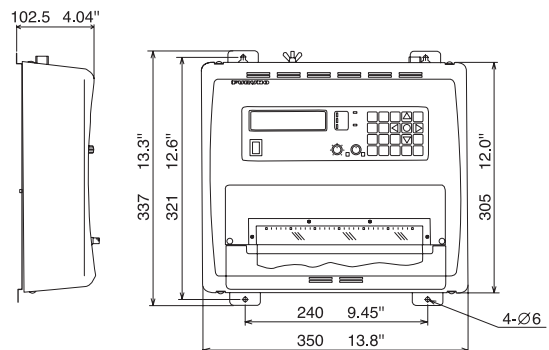
1. Receiver Unit (1 roll of thermal paper inset) FAX-408 1 unit
2. Installation Materials and Standard Spare Parts 1 set

Option

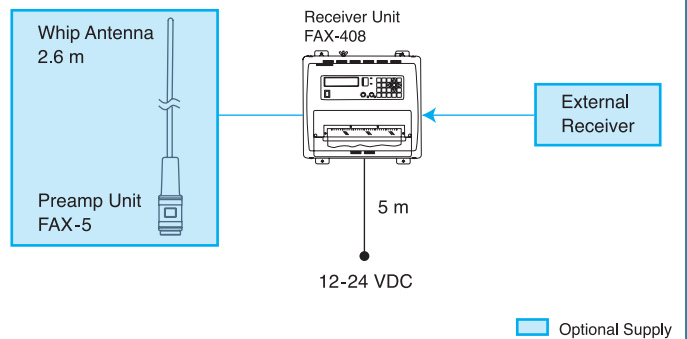
1. Pre-amp unit FAX-5 with 1 m or 15 m cable
2. 2.6m Whip Antenna for FAX-5 04S4176
3. Extensions Kit for Antenna Cable OP04-2 10/20/30/40/50 m
4. Whip Antenna FAW-6R2/FAW-6R2A (6 m)
5. Antenna Matching Box ARD-1
6. Recording Paper TP-0820B

DIMENSIONS AND WEIGHT

Receiver Unit FAX-408 5.6 kg 12.3 lb



INTERCONNECTION DIAGRAM



TRADE MARK REGISTERED MARCA REGISTRADA
SPECIFICATIONS SUBJECT TO CHANGE WITHOUT NOTICE

大连宁航通导科技发展有限公司

大连市中山区常青街8号23F-05

T:0411-82568595 F:0411-82561282

Http://www.wesmar.cn

Email: sales@wesmar.cn



06083U Printed in Japan

