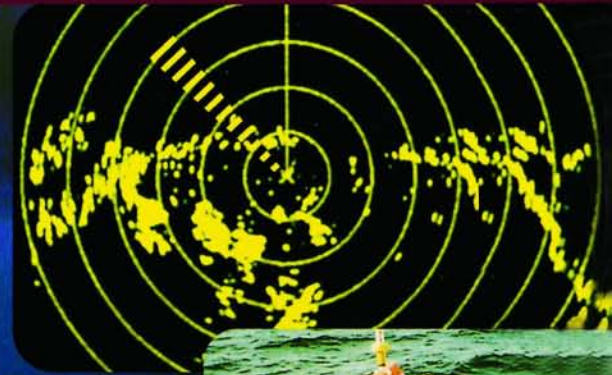




**RT-10**

**SEARCH AND RESCUE RADAR TRANSPONDER**

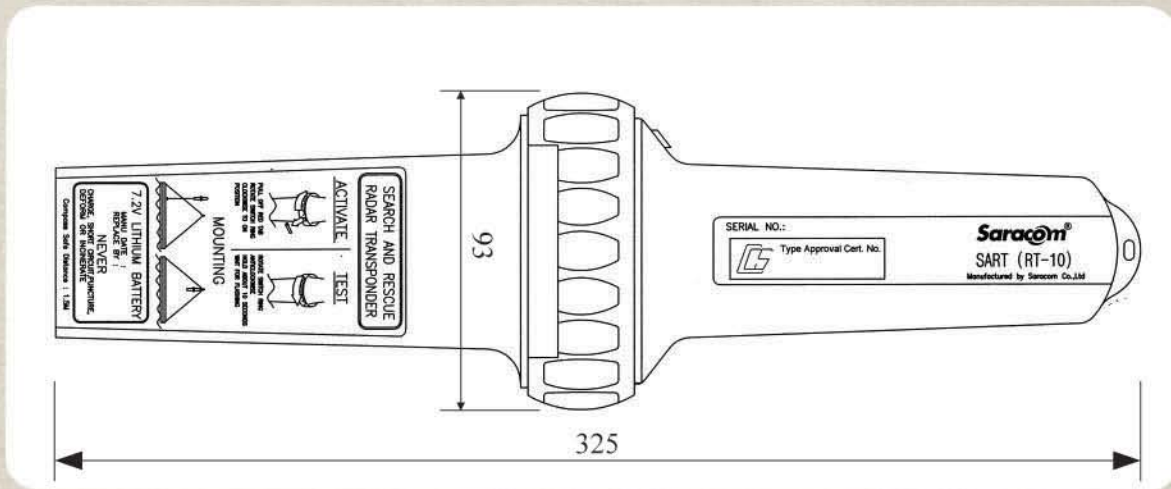


## SART RT - 10

### GENERAL CHARACTERISTICS

- **Temperature range** : -20°C ~ +55°C
- **Storage temperature** : -30°C ~ +60°C
- **Batteries**
  - Operating life at -20°C :
    - Up to 100 hours stand by.
    - Up to 8 hours continuous operation.
  - Operating life at +55°C :
    - Up to 100 hours stand-by.
    - Up to 15 hours continuous operation.
  - Batteries to be replaced every 4 years.
- **Dimensions**
  - Out diameter : 93mm
  - Height : 325mm
- **Weight** : 700gr
- **Mounting Pole** : 1.5m in length.

### SYSTEM CONFIGURATION



### TECHNICAL SPECIFICATION

- **Frequency** : 9.2 ~ 9.5GHz.
- **Polarisation** : Horizontal.
- **Antenna**
  - Horizontal : Omnidirectional  $\leq \pm 2$  dB.
- **Transmitter**
  - Sweep rate
  - Forward :  $7.5\mu$  nominal  $\pm 1\mu$
- Return :  $0.4\mu$  nominal  $\pm 0.1\mu$
- Radiated power :  $> 400$ mW E.I.R.P.
- Response delay :  $< 0.5\mu$  nominal
- **Receiver**
  - Effective sensitivity : Better than -50 dBm
  - Recovery time : Less than  $10\mu$

※ Typical specifications subject to change without further notice.