



FURUNO®

Inmarsat MINI-C MOBILE EARTH STATION Model FELCOM 16



SPECIFICATIONS OF FELCOM 16

1. Type

Class 2 Inmarsat MINI-C (with EGC for shore-to-ship transfer using a shared receiver)

2. Inmarsat MINI-C services supported

- EGC receiving (SafetyNET™, FleetNET™)
- Two-way, digital store-and-forward message handling: Telex, FAX (PSTN), Internet E-mail, X.25 (PSDN), X.400 (MHS), Closed Network (DNID), Special Access Code
- Polling, Data Reporting

3. SafetyNET™ Frequency Scan

Automatic scan of NCS common channels locking on first received LES. Manual selection of another NCS possible.

4. Frequency

TX: 1626.5 - 1646.5 MHz
RX: 1530.0 - 1545.0 MHz (Inm MINI-C), 1575.42 MHz (GPS)

5. Channel Spacing

5 kHz

6. Modulation

BPSK 1200 symbols/s

7. Minimum G/T

-23.7 dB/K (at elv. 5°)

8. Output Power

9 ± 2 dBW EIRP (at elv. 5°)

9. Power Supply

12-24 VDC, 60 W (TX), 10 W (RX)

Environment

Temperature: -15°C to +55°C (Protected units)
-35°C to +55°C (Exposed units)

Equipment List

Standard

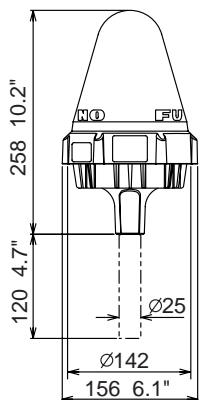
- | | |
|--|--------|
| 1. Antenna Unit with antenna cable | 1 unit |
| 2. Communication Unit | 1 unit |
| 3. Installation Materials and Spare Part | |

Option

1. AC/DC Power Supply Unit PR-240

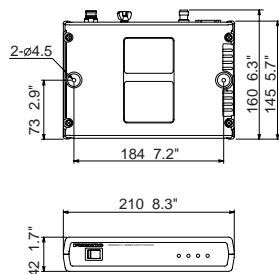
Antenna Unit IC-116

1.4 kg 3.1 lb

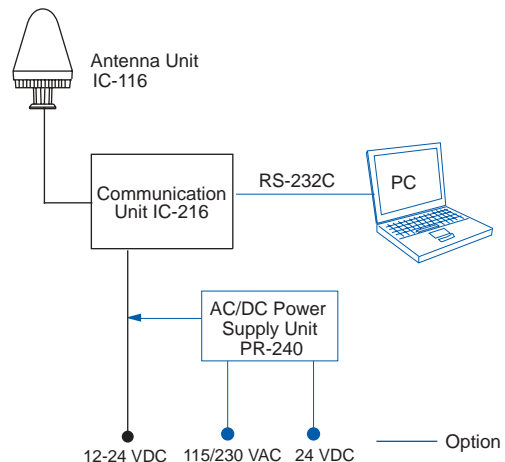


Communication Unit IC-216

1.2 kg 2.7 lb



INTERCONNECTION DIAGRAM



SPECIFICATIONS SUBJECT TO CHANGE WITHOUT NOTICE



The future today with FURUNO's electronics technology.

FURUNO ELECTRIC CO., LTD.

Catalogue No. W-3248c
04083SS Printed in Japan
大连宁航通导科技发展有限公司
大连市中山区常青街8号23F-05
T: 0411-82568595 F: 0411-82561282
Http://www.wesmar.cn
Email: sales@wesmar.cn