



# FURUNO®

## MF/HF RADIOTELEPHONE

Integrated MF/HF Radiotelephone, DSC/Watch Receiver, Telex

Models **FS-1570/2570**  
(150 W) (250 W)

- Distress, safety and routine communications
- Fully meets GMDSS carriage requirements
- Instant selection of 256 preset channels
- 160-character message on high-legibility LCD display
- Optional NBDP modem and monitor
- Easy channel selection with rotary control or direct keyboard input
- Scanning of DSC frequencies for distress and general calls on MF/HF
- File editing for ready transmission of DSC message
- GPS position automatically included in a distress call



The FS-1570 and 2570 are new MF/HF radiotelephones for general communications and GMDSS applications. Provided in addition to radiotelephony operation are DSC (Digital Selective Call) on general communications and DSC Watch Receiver on all distress and safety frequencies in MF and HF bands.

The FS-1570 and 2570 maintain a continuous watch on a distress call even while you are exchanging normal voice messages. DSC channels can be individually set or all selected channels can be automatically scanned. When a DSC message is received, the radiotelephone gives audible and visual alarms.

The FS-1570 and 2570 work on all authorized transmit frequencies between 1.6 and 27.5 MHz.

Receiver frequencies are selectable between 100 kHz and 30 MHz in 10 Hz steps. The transmit and receive frequencies can be selected separately or in pair. The digital frequency synthesizer provides high frequency stability for DSC and NBDP as well as telephony operation.

The compact cabinet allows a flexible and space-saving installation in a communication console. Optional equipment available are a distress alert unit, received call unit, remote control unit, distress message control unit, etc. In addition a telex modem (NBDP) can be accommodated in the transceiver unit for general message transfer and distress message/maritime safety information handling, satisfying the carriage requirement in GMDSS A3-A4 sea areas.



® The future today with FURUNO's electronics technology

**FURUNO ELECTRIC CO., LTD.**

Catalogue No. S-023b

TRADE MARK REGISTERED  
MARCA REGISTRADA

# SPECIFICATIONS OF FS-1570/2570

## GENERAL

### Frequency Range

TX: 1.6 to 27.5 MHz  
 RX: 0.1 to 30 MHz  
 Channels: 256 channels, preset by competent service depots, from  
 - All ITU RR Appendix 16 (4 - 27.5MHz)  
 - All distress frequencies in telephony, DSC, NBDP  
 - All telephony frequencies allocated by national authorities according to ITU RR Article 8 (1.6 - 4 MHz)

### Rules and Regulations

ITU-R Rec. 493-10(Class A), 541-8, 1082-1  
 IEC 61097-3/61097-8/61097-9, IEC 61162-1, IEC 60945  
 IMO Res. A.804(19) and MSC.68(68) amendment, EN 300 338

### Frequency Accuracy

±10 Hz (telephony)

### Communication System

Simplex or semi-duplex

### Class of Emission

J3E (Telephony),  
 J2B (DSC, NBDP)

## TRANSCEIVER

### RF Output Power

FS-1570: 150 W  
 FS-2570: 250 W (FCC Part 80.215 limits 150 W between 2 and 4 MHz, 400 W on 2182 kHz Reducible to 60 W pep (Distress in full)  
 7-18 m whip or wire  
 0.2 to 2 s typical  
 Capable of providing at least 2 W (1 W/8 Ω, 4 W/4 Ω)

### Antenna

### Tuning Speed

### Receiver Output

## DSC

### Distress Call and Message

RR 3112: Format specifier (distress),  
 Self-ID Nature of distress, Distress coordinates, Time,  
 Telecommand (EOS, ECC)

### Distress and Safety

2187.5, 4207.5, 6312, 8414.5,  
 12577, 16804.5 kHz

### Routine call DSC:

1.6 to 27.5 MHz (FS-2570 only with optional receiver for routine)  
 ±0.5 Hz

### Stability:

### Message Storage

### Receive:

50 distress messages max.  
 plus 50 non-distress messages  
 50 messages, Telephone No,  
 Frequency, etc.

### Transmit:

### Alarms

Audible and visual on receipt of distress, urgency or routine calls,  
 position error

### Display

160 characters in 8 lines

### Frequency shift

95(W) x 60(H) mm  
 Mark 1615 Hz, Space 1785 Hz,  
 100 baud  
 IEC 61162-1

## Interface

## POWER SUPPLY

24 VDC, 20 A (150 W), 35 A (250 W) for TX,

0.8 A (150 W), 1.5 A (250 W) for RX

115/230 VAC with external rectifier

## EQUIPMENT LIST

### Standard

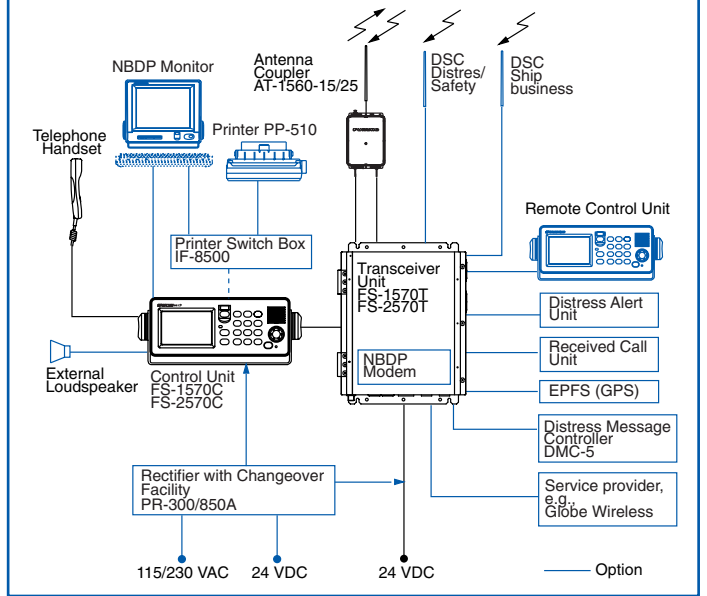
- |  |        |
|--|--------|
| 1. Transceiver Unit  | 1 unit |
| 2. Control Unit  | 1 unit |
| 3. Telephone Handset   | 1 unit |
| 4. Antenna Coupler AT-1560-15 (FS-1570),<br>AT-1560-25 (FS-2570) | 1 unit |

### Option

- Rectifier with changeover facility PR-300 for FS-1570, PR-850A for FS-2570
- NBDP Monitor and Modem Unit
- External Loudspeaker
- Distress Alert Unit IC-302-DSC

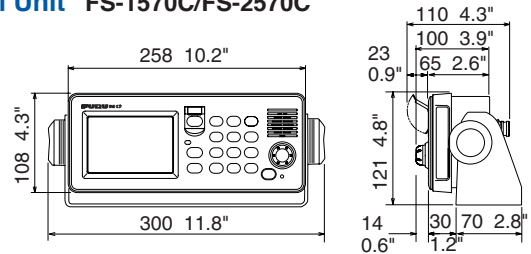
- Received Call Unit IC-303-DSC
- Control Unit for Remote Station
- Distress Message Controller DMC-5
- Whip Antenna
- Watch Keeping Receiver for routine for FS-2570

## INTERCONNECTION DIAGRAM



## Control Unit FS-1570C/FS-2570C

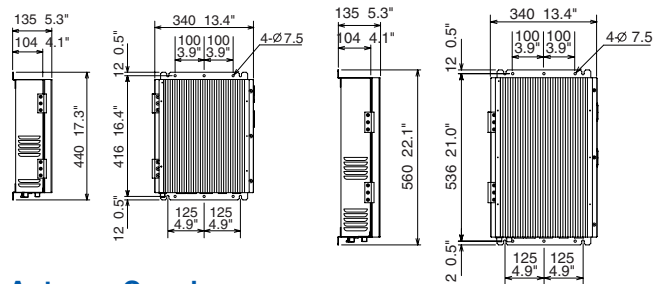
1.8 kg  
 4.0 lb



## Transceiver Unit

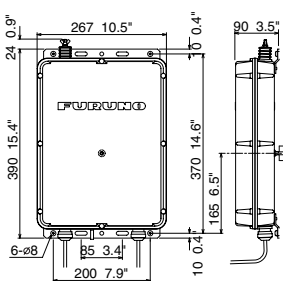
**FS-1570T** 11.0 kg 24.3 lb

**FS-2570T** 15.0 kg 33.1 lb

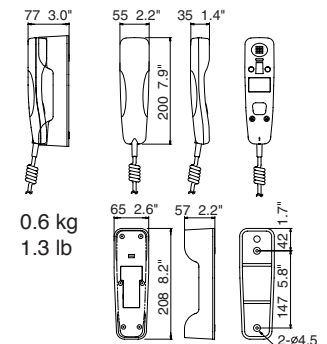


## Antenna Coupler AT-1560-15/AT-1560-25

8.7 kg 19.2 lb



## Handset



SPECIFICATIONS SUBJECT TO CHANGE WITHOUT NOTICE

04105N Printed in Japan

**大连宁航通导科技发展有限公司**

大连市中山区常青街8号23F-05

T:0411-82568595 F:0411-82561282

Http://www.wesmar.cn

Email: sales@wesmar.cn